



GAMES OF THE XXXI OLYMPIAD

Rio de Janeiro (BRA)

6 / 19 August 2016

COMPETITION REGULATIONS

MEN'S AND WOMEN'S HOCKEY COMPETITIONS

Published: 19 July 2016

INTERNATIONAL HOCKEY FEDERATION

CONTENTS

1	Interpretation	2
2	Rules of the competition	3
3	Competition Officials.....	3
4	Team entry	4
5	Pre-competition briefing meetings	5
6	Composition of a team	6
7	Team clothing/equipment and colours	7
8	Duration of matches	8
9	Substitution of players	8
10	Admission to the field of play.....	9
11	Interruptions of a match.....	10
12	Medical data.....	10
13	Match report forms	11
14	Disqualification or failure to play.....	11
15	Video Umpire.....	12
16	Code of conduct and sanctions	12
17	Protests	13
18	Appeal Jury.....	14
19	Appeals.....	14
20	Anti-Doping.....	15
21	Olympic medals and diplomas	16
22	Unforeseen events	16

APPENDICES

Appendix 1	Schedule of Variations to the Rules of Hockey	17
Appendix 2	Competition Plan and Ranking	21
Appendix 3	Shoot-Out Competition	24
Appendix 4	FIH Code of Conduct	27
Appendix 5	FIH Code of Conduct – Guidelines to TDs on Process for Hearing and Determining any Reported Offence.....	33
Appendix 6	IOC Late Athlete Replacement Policy	35
Appendix 7	Uniform and Equipment Advertising - IOC Charter, Rule 50.....	37
Appendix 8	Contingency Plan Concerning Competition Schedule.....	42
Appendix 9	Video Umpire	44
Appendix 10	FIH Media Policy.....	47

Competition Regulations dated May 2016 were published by the FIH to assist National Associations in their preparations for the Games. However, the FIH reserved the right to change any of these Regulations prior to 18 July 2016 being the deadline for National Olympic Committees to submit their entries. Such changes are identified below by lines in the margins. These revised Competition Regulations are referred to hereafter as “these Regulations”.

1 INTERPRETATION

In these Regulations, unless the context otherwise requires, the following words and expressions have the meanings set out below:

Code of Conduct

This Code of Conduct, as amended from time to time.

Cxx

Codes of forms and reports in the Olympic Results and Information Services (ORIS) system

Disciplinary Officer

The person appointed by the *FIH* from time to time to act in that role, or his / her designee

Executive Board

The Executive Board of the *FIH*.

FIH

The International Hockey Federation

FIH Chief Executive Officer

The person appointed by the *FIH* from time to time to act in that role, or his designee.

IOC

The International Olympic Committee

NA

National Association

NOC

The National Olympic Committee of a country as recognized by the IOC

Rio 2016

The Organising Committee for the Olympic Games and Paralympic Games of the XXXI Olympiad

Participants

Participants shall be considered as the following:

- a All *National Association* team members and officials including Players, Team Management, Coaching Staff, Medical Staff, Technical Support Staff and any duly appointed representatives of the *National Associations* of the participating teams.
- b All *FIH* tournament officials including the *FIH* Representatives, *FIH* staff, Technical Delegates, Assistant Technical Delegates, Umpires' Managers, Medical Officers, Judges, Umpires and any other ad hoc officials appointed by the *FIH*
- c The host *National Association's* representatives.

FIH President

The person elected by the *FIH* from time to time to act in that role, or his designee.

Statutes

Statutes of the *FIH*

Words importing the plural shall include the singular and vice versa.

2 RULES OF THE COMPETITION

- 2.1 Pursuant to the Olympic Charter, FIH assumes the responsibility for the technical control and direction of its sport at the Olympic Games.
- 2.2 The competition shall be conducted in accordance with the Rules of Hockey in force on the first playing day of the competition except as varied by Appendix 1 of these Regulations and in accordance with these Regulations.
- 2.3 The competition plan and ranking scheme is set out in Appendices 2 and 3.
- 2.4 The IOC and the FIH in their absolute discretion will formulate and publish the Match Schedule for the competition. The IOC and the FIH reserve the right to amend this schedule as a result of any circumstances that may arise.
- 2.5 In addition to these Regulations, the FIH Statutes and General Regulations, Rules of Hockey, FIH Anti-Corruption Regulations, FIH Standard Event Operating Procedures, FIH Anti-Doping Rules, the Olympic Movement Code on the Prevention of the Manipulation of Competitions, FIH Media Policy, FIH Code of Conduct and any other rules and regulations that are applicable and may come into force from time to time, shall apply at the Games of the XXXI Olympiad.

3 COMPETITION OFFICIALS

- 3.1 The FIH President (or, in his absence, the Chief Executive Officer of the FIH) is the FIH Representative during the competition.
- 3.2 A Technical Delegate is appointed by the FIH for each of the men's and women's competitions. The Technical Delegate has the full power and authority of the FIH in relation to technical matters concerning the conduct of their respective tournament in accordance with these Regulations.
- 3.3 The Technical Delegate appoints the Umpires, Assistant Technical Delegates and Judges for each match from among the persons appointed by the FIH to officiate in the competition provided that:
 - a Umpires, Assistant Technical Delegates and Judges must not be appointed to a match in which their NOC is playing;
 - b an official of a participating team is not permitted to be a technical official of the competition.
- 3.4 The Technical Delegate ensures that all Participants abide by the FIH Code of Conduct (Appendix 4) and has authority to take action in accordance with the Code.
- 3.5 With the consent of the FIH President, the Technical Delegate may delegate the exercise of his / her powers and authorities to an Assistant Technical Delegate, in whole or in part and for such duration as the Technical Delegate deems necessary. In the absence of the FIH President, such power of delegation may only be exercised with the consent of the FIH Chief Executive Officer.

4 TEAM ENTRY

- 4.1 Only teams from NOCs which have qualified for the XXXI Olympiad in accordance with the qualification process approved by the IOC will be permitted to participate. The entry process will follow the online system approved by the IOC, FIH, and Rio 2016.
- 4.2 NOCs are responsible for completing and submitting the Rio 2016 online application for accreditation for all individual players not later than 29 April 2016. There is no restriction as to the number of players that may be submitted for the “long list”.
- 4.3 NOCs are responsible for completing and submitting the Application for Accreditation forms for all team officials not later than 29 April 2016. There is no restriction as to the number of team officials that may be submitted for the “long list”.
- 4.4 NOCs are responsible for completing and submitting the Rio 2016 online Sport Entry Form between 1 June 2016 and 23:59 on 18 July 2016 (Rio time which is GMT – 3 hours), using only players previously registered in the long list.
- 4.5 All players must be identified by their respective playing shirts numbered within the range 1-32 which must remain the same throughout the competition.
- 4.6 The online Sport Entry Form must include:
 - a the names of up to 16 players identified by their respective playing shirt numbers and indicating the nominated captain;
 - b the names of up to two (2) alternate players identified by their respective playing shirt numbers (P Accreditations in line with the IOC Accreditation at the Olympic Games Detailed Specifications, April 2015);
 - c details of the club, city and country of the club that each player represents, their playing position and the number of international caps and goals scored at the time of submission;
 - d details of the primary and alternative colours of field players clothing; each piece in one set must comprise at least 80% single colour and the other set must consist of a colour(s) completely different from the dominant one(s) in the first mentioned set for shirt, shorts / skorts and socks; and
 - e details of the primary and alternative colours of goalkeepers’ shirts which must consist of colours completely different from the primary and alternate colours of the field players shirts.
- 4.7 The following information must be submitted through the Application for Accreditation system:
 - a the name of the Team Manager: not being any of the Head Coach, Assistant Coach, Physiotherapist or Medical Doctor;
 - b the name of a stand-in Team Manager The Stand-in Team Manager will take over the duties and responsibilities of the Team Manager if nominated to be the Team Manager for a particular match or if the Team Manager is incapacitated or suspended;
 - c the names of the Head Coach, Assistant Coach, Physiotherapist and Medical Doctor, wishing to be authorized to sit on the team bench;

- 4.8 Where injury, urgent medical problems, or other exceptional circumstances arise after the closure of entries on 18 July 2016, but before the pre-competition Event Briefing meeting, it is possible for a team to make a late player or team official replacement as long as the players and team officials are registered in the “long list”. For players, these changes should follow the process outlined in the IOC Late Athlete Replacement Policy (Appendix 6). Any such changes must also be advised to the Technical Delegate at the pre-competition Event Briefing meeting and indicated on the Provisional Team Roster (C33).
- 4.9 Rio 2016 must hand a copy of all the Provisional Team Rosters (C33) to the FIH and Technical Delegates upon their arrival at the venue.
- 4.10 The following applies to the alternate players (P accreditations):
- a after the pre-competition Event Briefing meeting, any request to change the status of an alternate player in order to enrol him / her in the official list of 16 players must be made in accordance with the IOC Late Athlete Replacement Policy (Appendix 6) specific to Hockey;
 - b the FIH Athlete Replacement Medical Panel, comprising the three FIH Medical Officers appointed for the Olympic Games competitions, shall consider any request for the replacement of a player in the event of injury or urgent medical condition or in other exceptional circumstances and provide a recommendation to Rio 2016 in relation to the replacement. Rio 2016 shall not be bound by any recommendation made by the FIH Athlete Replacement Medical Panel. Once withdrawn from the team list the player is not allowed to compete in the competition;
 - c all costs incurred by any alternate player (airfares, board, lodging etc) shall be borne by either the relevant NA or the respective NOC.
- 4.11 In the case of withdrawal of one or more teams pre-event, the participation of reserve team(s) is subject to the FIH and IOC qualification process as set out in the most recent published Qualification System document.
- 4.12 In the case of non-participation of one or more team(s) following publication of the Match Schedule, the FIH reserves the right to re-arrange, in agreement with the IOC and Rio 2016, the composition of the pools prior to the pre-competition briefing meetings.

5 PRE-COMPETITION BRIEFING MEETINGS

- 5.1 Team Managers and stand-in Team Managers must attend the Event Briefing meeting with the FIH, Rio 2016 and Technical Delegate at a time and place to be specified.
- 5.2 Team Managers must bring to this meeting or such other meeting specified by the Technical Delegate:
- a samples of the clothing of their field players and goalkeepers (primary and alternate colours) and all playing equipment for approval prior to the commencement of the competition; equipment includes goalkeepers’ headgear, hand protectors, leg guards and kickers together with any protective equipment such as face masks and hand protectors worn by field players; sticks for all players will also be checked but the Technical Delegate may authorise this to be at another time.

- b the passports of players for proof of identity and nationality; the Technical Delegate may require a player to attend with their passport to verify identity; no other form of documentation (e.g. national identity card) is acceptable;
 - c The FIH Anti-Doping Rules and Image Rights Policy are superseded at this competition by IOC rules.
- 5.3 Using the Provisional Team Roster (C33) supplied by the FIH, Team Managers must confirm or advise the Technical Delegate of any inaccuracies in the document. No further amendments will be accepted after this meeting.
- 5.4 After the changes have been approved by the FIH and made by Rio 2016, the Starting Line-Up Nomination forms (C54) for all the pool matches will be made available electronically to Team Managers. The Starting Line-Up Nomination forms (C54) will include the individual details of each match and the 16 eligible players and team officials.
- 5.5 After the completion of all the pool matches the Starting Line-Up Nomination forms (C54) for the classification matches will be made available to Team Managers on a match by match basis.
- 5.6 The Team Medical Doctor (if any) must attend the meeting with the FIH appointed Medical Officer at a time and place to be specified. If a team has not nominated a Team Medical Doctor, the Team Physiotherapist or other team medical person must attend the meeting.
- 5.7 The Team Coach must attend the meeting with the FIH appointed Umpires Managers at a time and place to be specified.

6 COMPOSITION OF A TEAM

- 6.1 No later than sixty (60) minutes before the start of every match, each Team Manager must deliver the Starting Line-Up Nomination form (C54) to the Rio 2016 Competition Management office in person nominating:
- a the eleven players who will be on the field of play at the commencement of the match;
 - b the five players who will start on the team bench (unless one or more players has or have been suspended for that match in which case the relevant player(s) should be included on the form but marked with an S);
 - c the captain and goalkeeper(s) for the match;
 - d the Team Manager for the match;
 - e the Coach on the team bench for the match;
 - f Physiotherapist (if any);
 - g Medical Doctor (if any).
- 6.2 Nominations can only be made from the players and team officials whose names appear on the Team Roster (C33), excluding any person who has been suspended from participating in the match by the Technical Delegate and subject to the following in relation to Physiotherapist or Doctor. A Physiotherapist or Doctor may also be nominated from an NOC pool of physiotherapists or doctors who have been accredited for hockey.

- 6.3 If a player nominated in the starting line is injured or incapacitated before the start of the match and as a result the starting line-up is to be changed, the Team Manager must advise the match technical officials at the earliest opportunity; changes within 10 minutes of the start of a match will only be permitted in exceptional circumstances agreed with the Assistant Technical Delegate on duty.
- 6.4 Any additional persons named on the Team Roster (C33) may be with their team up to 10 minutes prior to the scheduled start time of the match or a time indicated by the Technical Delegate at the pre-competition Event Briefing meeting. The Team Manager is responsible for ensuring that these additional persons remain outside the field of play until the match, including any shoot-outs, is completed.
- 6.5 A maximum of two (2) alternate players (P accreditations) per team may warm up with their team but only when the warm up takes place on a warm up pitch. They must leave the warm up pitch when the team leaves it, i.e. alternate players cannot warm up on the pitch where the match is to take place. The Team Manager is responsible for ensuring that these alternate players remain outside the field of play during the phase of competition.
- 6.6 An application to admit an alternate player with P accreditation to the competition will not be considered within sixty (60) minutes before the start of a match.

7 TEAM CLOTHING, EQUIPMENT AND COLOURS

- 7.1 The Technical Delegate, at his / her absolute discretion, shall specify to the Team Managers the clothing to be worn by their field players and goalkeepers through the Starting Line-Up Nomination (C65A) for each match.
- 7.2 Any additional items of clothing worn by a player during a match must be the same colour as the adjoining piece of clothing.
- 7.3 When warming up during a match, substitutes must wear bibs or some other form of clothing in a colour different to both teams.
- 7.4 Each field player's number must:
- a be clearly visible against his / her playing shirt;
 - b appear in distinctive filled (not outlined) figure(s);
 - c be not less than 16 cm and not more than 20 cm in height on the back of the player's shirt;
 - d be not less than 7 cm and not more than 9 cm in height on the front of the player's shorts/skirt at thigh level.
- 7.5 Each goalkeeper's number must:
- a be clearly visible against his / her playing shirt;
 - b appear in distinctive filled (not outlined) figure(s);
 - c be not less than 16 cm and not more than 20 cm in height on the back of the goalkeeper's shirt;

- d be not less than 7 cm and not more than 20 cm in height on the front of the goalkeeper's shirt.

7.6 Each player's name must:

- a appear on the back of their shirt (except if they are taking part at that time as a field player with goalkeeping privileges);
- b be in distinctive filled (not outlined) letters not less than 6 cm and not more than 10 cm in height;
- c be positioned above the player's number so that the number remains clearly visible.

7.7 Each team involved in a match must have available with it two spare sets of players' clothing without number plus suitable material for numbering in an emergency such as replacement of blood-stained clothing.

7.8 All players must be uniformly and neatly dressed at all times during a match.

7.9 Field players must:

- a wear shin guards inside the socks and below the knee at all times during a match;
- b wear any form of body protection (including leg protection) underneath normal playing clothing; knee pads may be worn outside the socks, provided that the colour of the knee pads is the same as the colour of the socks;
- c not wear any additional protective equipment related to 'medical reasons' or similar as specified in the Rules of Hockey unless approved by the FIH Medical Officers.

7.10 All clothing and equipment is subject to Rule 50 of the Olympic Charter (Appendix 8).

7.11 A player on the field of play must not use or be equipped with any device to receive communication.

8 DURATION OF MATCHES

8.1 The Umpires start and re-start the match; they also signal to the technical officials on duty every time stoppage they order and the subsequent re-start.

8.2 Time-keeping is controlled by the technical officials on duty; they are responsible for signalling the end of each period. If a match, however, is prolonged at the end of a period to allow for the completion of a penalty corner as specified in the Rules of Hockey and Appendix 1 of these Regulations, the Umpires will signal the end of that period.

9 SUBSTITUTION OF PLAYERS

9.1 Substitution takes place as specified in the Rules of Hockey from the 16 players in the Starting Line-Up Nomination (C54).

9.2 Substitution takes place under the supervision of a technical official on duty.

- 9.3 After leaving the field of play having been substituted, a player must immediately go to the team bench.
- 9.4 Team Managers are responsible for the proper application of the procedures.

10 ADMISSION TO THE FIELD OF PLAY

- 10.1 The Coach on the team bench may not enter the field of play during playing time under any circumstances but may do so during a shoot-out competition.
- 10.2 The Team Manager, the Physiotherapist and substitute players nominated for that match, up to a maximum of seven persons, plus the Team Medical Doctor, if registered, must remain seated on the team bench during playing time, including time stoppages, unless the Assistant Technical Delegate on duty or Umpire(s) direct otherwise or when implementing the substitution procedures. The Coach nominated for the team bench must remain in an area designated by the Assistant Technical Delegate on duty but need not be seated. Substitutes may leave their seats to warm up in an area designated by the Assistant Technical Delegate on duty. The Team Medical Doctor and Physiotherapist may leave their seats to treat players in the area at the end of the team bench.
- 10.3 The nominated Team Manager is responsible for the conduct of all persons occupying the bench and during the match must occupy the seat nearest to the technical officials' table.
- 10.4 Vocal communication by team officials and / or players on the team bench must not be directed at the technical officials seated at the table, the Umpires and/or the players of the opposing team.
- 10.5 If misconduct occurs after a Team Manager has been warned about acts of misconduct on their team bench, the Assistant Technical Delegate on duty is empowered to order the person or persons involved to leave the team bench and remain in the team changing room for the rest of the match. After the match, the Assistant Technical Delegate will report the circumstances to the Technical Delegate who may take further disciplinary action.
- 10.6 No incapacity treatment is permitted on the field of play.
- a If a player becomes incapacitated on the field of play, one of the Umpires may stop the match and assess whether or not the player requires attention.
 - b When a player is incapacitated:
 - i the Umpire may authorise the registered Team Medical Doctor and / or Physiotherapist to enter the field of play;
 - ii if a team does not have such registered officials, the Umpire will authorise the on-duty FIH Medical Officer and / or Team Manager, to enter the field of play;
 - iii if necessary, the Umpire may also authorise stretcher bearers to enter the field of play;
 - iv persons authorised to enter the field of play are required to assist and remove the player concerned from the field of play as soon as it is safe to do so.
 - c If any person from the team bench and / or the on-duty FIH Medical Officer enters the field of play and attends a player:

- i that player must leave the field of play and return to the team bench area for a minimum of two minutes of playing time;
 - ii the two minutes period will be managed by the technical officials on duty;
 - iii the player required to leave the field of play may be substituted.
- d As an exception to the above, if a goalkeeper is treated on the pitch for an injury incurred immediately prior to the award of a penalty corner or penalty stroke, including following a video umpire referral, the goalkeeper does not have to leave the pitch for two minutes of playing time.

10.7 If blood staining to the field of play occurs, Rio 2016 will immediately clean the area using a Non-Acid Disinfectant Surface Cleaner which is effective against antibiotic-resistant bacteria or, if such a material is not available, an 80% alcohol solution. During this activity there will be a time stoppage of play.

10.8 No liquid or other refreshment may be consumed on the field of play. Any player wishing to take refreshment during a match, including during time stoppages, must leave the field of play. A goalkeeper may leave and re-enter the field of play adjacent to the goal.

10.9 Team officials and players may leave the technical facility area surrounding the field of play during half time only with prior permission of the Assistant Technical Delegate on duty.

10.10 At the end of a match, all team officials and players must leave the field of play through the Mixed Zone.

10.11 Audible vocal communication including coaching from the videographer facility overlooking the field of play is not permitted by the team personnel admitted to this facility.

11 INTERRUPTIONS OF A MATCH

11.1 Appendix 8 specifies the conditions applying if a match is delayed, postponed or cancelled.

12 MEDICAL DATA

12.1 FIH may collect and assess injury data in the game in order to monitor injuries sustained by all players within International Events, including the XXXI Olympiad. Such studies are conducted in the interests of players' health and safety.

12.2 Players shall participate in any FIH medical injury surveillance study conducted in connection with International Events. For the avoidance of doubt any information gathered in the course of any medical injury surveillance study will not identify players personally and will be used for statistical purposes only. It is the right of players not to participate in any medical injury survey should he or she not wish to do so.

13 MATCH REPORT FORMS

- 13.1 At the end of a match, a Match Report (C73A) is produced at the technical table. This is a summary of the match showing the names of all players, team officials and technical officials nominated for the match and the key match statistics, including the result.
- 13.2 Within ten minutes of the end of the match, the Team Manager of each participating team must sign the Match Report.
- 13.3 The match officials must also sign the Match Report.

14 DISQUALIFICATION OR FAILURE TO PLAY

- 14.1 During the pool matches:
- a A team either disqualified or refusing to play or failing to complete a match is deemed to have withdrawn from the competition.
 - b If a team so withdraws from the competition:
 - i any matches it has played until then, as well as all the matches it has still to play, will be recorded as a 5 - 0 loss;
 - ii that team will be disqualified and will not be ranked in the competition;
 - iii the pool points table and ranking table will be adjusted accordingly for all teams;
 - iv the team will not be entitled to any FIH World Ranking points for the competition;
 - v statistics for the team and its individual players, other than personal penalty statistics will be removed for all matches in which a team has been disqualified or has failed to play.
- 14.2 A team either disqualified, withdrawn or refusing to play between the completion of the pool matches and the start of its qualification match, will be replaced by the next qualified team from that pool.
- 14.3 During a classification match:
- a A team either disqualified or refusing to play or to complete a match is deemed to have withdrawn from the competition at that stage.
 - b If a team so withdraws from the competition at the classification stage:
 - i the team is deemed to have lost the match in question;
 - ii the team will be disqualified and will not be ranked in the competition and will not receive, or will not be allowed to keep, any medals and diplomas;
 - iii the team will not be entitled to any FIH World Ranking points for the competition;
 - iv all teams ranked below the team at the time of the withdrawal will be advanced by one place in the final ranking; where appropriate after such revision of the ranking, a team will be awarded any medals and diplomas related to its revised ranking;
 - v no goals will be attributed to a player for any matches played in the classification stage by the team that has been disqualified;

- vi team statistics are retained for any matches played in the pool stage by the team that has been disqualified but individual player scoring statistics are removed.
- c Depending on the time of withdrawal of a team during the classification stage, the FIH reserves the right to determine how a final ranking will be determined.

14.4 A team which is deemed to have withdrawn may be subject to further disciplinary action as determined by the FIH Executive Board.

15 VIDEO UMPIRE

15.1 Appendix 9 specifies the Video Umpire procedures.

15.2 Video Umpire procedures will not be implemented for any classification matches (in full or in part as a result of delay, postponement or cancellation) or for any separate shoot-out competitions played on pitch 2, or for any matches that have to be played at the Federal University of Rio de Janeiro training venue.

16 CODE OF CONDUCT AND SANCTIONS

16.1 The FIH Code of Conduct applies to all participants at this competition.

16.2 Appendices 4 and 5 to these Regulations provide details of the FIH Code of Conduct and associated Guidelines for a Technical Delegate.

16.3 The Technical Delegate has authority to reprimand or to suspend during the competition for one or more matches players, team officials and other officials who, in their opinion, commit a breach of the Code of Conduct before, during or after a match wherever that misconduct occurred.

16.4 In deciding on the duration of any suspension, the Technical Delegate is limited to the remaining matches in the competition but, if the Technical Delegate decides that the appropriate penalty may or ought to include the imposition of a suspension that affects matches or should otherwise take effect beyond the conclusion of the competition, the Technical Delegate must, within 3 days of the decision being published, give written notice of the decision to the FIH Chief Executive Officer, who will refer it to the FIH Disciplinary Commissioner to decide on any further period of suspension or other penalty to be imposed.

16.5 Suspended persons may not enter the field of play or the technical facility areas (including the team benches, changing rooms, Coaches' seating area and video tower) until completion of the match or matches comprising the suspension.

16.6 Subject to Regulation 19 an individual or a team may appeal against any suspension during a tournament.

16.7 If an individual or a team wishes to appeal, the Team Manager(s) must give written notice to the Technical Delegate within sixty (60) minutes after the Technical Delegate's decision is published using an Official Communication (C67). If no appeal is lodged, the decision of the Technical Delegate is final.

- 16.8 If an appeal is lodged, the Technical Delegate must immediately inform the FIH Chief Executive Officer or his designated representative.

17 PROTESTS

- 17.1 If a team wishes to lodge a protest at the end of a match or at the end of a stand-alone shoot-out competition the Team Manager must:
- a declare the intention to do so immediately in writing directly below their signature when signing the Match Report (C73A) or Shoot-out Competition (C73B) form;
 - b in addition, produce in writing the grounds of the protest and must hand that document to the Assistant Technical Delegate on duty within 30 (thirty) minutes of the completion of the match or stand-alone shoot-out competition;
 - c deposit in addition five hundred US Dollars (\$500) with the written protest.
- 17.2 If a protest is made, the Assistant Technical Delegate on duty must immediately notify the FIH Chief Executive Officer or his designated representative and the Technical Delegate.
- 17.3 Notwithstanding the provisions of this Regulation, a protest from a decision of an Umpire or Video Umpire during a match or shoot-out competition may not be made to or considered by the Technical Delegate.
- 17.4 A team may protest to the Technical Delegate about any other decision of the Technical Delegate or application of these Regulations, other than Regulation 2.4. If a protest is to be made the Team Manager must:
- a produce in writing the grounds of the protest and must hand that document to the Technical Delegate within thirty (30) minutes of the publication or other communication on which the protest is based;
 - b deposit five hundred US Dollars (\$500) with the written protest.
- 17.5 The Technical Delegate must make a decision and publish it through an Official Communication (C67) within two hours from the submission of a protest; if possible, the Technical Delegate should also orally notify the decision to the Team Manager concerned immediately after making the decision.
- 17.6 The Team Manager must make arrangements with the Technical Delegate so that (s)he is available to receive the decision from the Technical Delegate.
- 17.7 Failure to comply with any part of this Regulation will result in dismissal of the protest.
- 17.8 The deposit may be refunded in whole or in part if the protest is not allowed, at the discretion of the FIH Executive Board, who will consider the matter at an appropriate time after the match or the competition.
- 17.9 If a team involved in a protest wishes to appeal the decision of the Technical Delegate resulting from any protest under these Regulations, the Team Manager(s) must give written notice to the Technical Delegate within sixty (60) minutes after the Technical Delegate's decision is published. If no such appeal is lodged, the decision of the Technical Delegate is final.

17.10 If an appeal is lodged, the Technical Delegate must immediately inform the Chief Executive of the FIH or his designated representative. Any appeal will be conducted in accordance with the provisions of these Regulations.

18 APPEAL JURY

18.1 The FIH will appoint an Appeal Jury and President of the Appeal Jury for the Games of the XXXI Olympiad.

18.2 The President of the Appeal Jury decides which members of the Appeal Jury to appoint for a particular hearing; if not chairing the hearing, the President of the Appeal Jury will appoint a chair.

18.3 An Appeal Jury shall consist of a minimum of three persons and a maximum of five persons.

18.4 Any person who has taken part in any previous proceedings relating to the matter under appeal must not be appointed to a particular Appeal Jury.

19 APPEALS

19.1 An individual or a team may lodge an appeal against:

- a a decision by a Technical Delegate to suspend a player, team official or other official;
- b a protest which has not been allowed by a Technical Delegate.

19.2 An appeal may not be lodged for consideration by an Appeal Jury in respect of any decision of the Technical Delegate unless the decision appealed against is in respect of a suspension or other penalty imposed to have effect during the remainder of the competition. Where the decision appealed against is in respect only of a period of suspension or other penalty that may take effect after the conclusion of the tournament, a written notice of appeal must be given, within 3 days of the Technical Delegate's Decision being published, to the FIH Chief Executive Officer or his designated representative, who will refer it to the FIH Disciplinary Commissioner.

19.3 A deposit of five hundred US Dollars (\$500) must be paid if the appeal is against a decision by a Technical Delegate to suspend a player or team official; the deposit must accompany the written notice of appeal.

19.4 The written notice of appeal must contain a statement outlining the grounds of appeal and indicating whether the appeal is against:

- a a finding;
- b a penalty imposed;
- c both a finding and a penalty;
- d procedural irregularities of a Technical Delegate hearing.

19.5 The appeal is not by way of a re-hearing of the evidence. It is limited to a review of the decision of the Technical Delegate to ensure compliance with the Regulations, Code of Conduct Guidelines and principles of natural justice.

- 19.6 No fresh evidence shall be presented to the Appeal Jury without its approval. If approval is sought to present fresh evidence, particulars of such evidence and the reasons why it was not presented to the earlier decision-maker must also be included in the written notice of appeal.
- 19.7 The parties are entitled to make oral representations to the Appeal Jury at the hearing.
- 19.8 The Appeal Jury may conduct the hearing in such a manner and at such time and in such a way as it considers desirable and / or suitable. If any party fails to attend the hearing, the Appeal Jury may proceed in the absence of that or any other party.
- 19.9 The Appeal Jury must publish a decision in writing. A copy must be provided to the FIH Chief Executive and the Technical Delegate and it must be published through an Official Communication (C67) as soon as possible but not later than two hours before the start of the first match on the next day that matches are played in the relevant men's or women's competitions. If possible, the Chair of the Appeal Jury which heard the case should orally notify the decision to the Team Manager or official concerned immediately after making the decision.
- 19.10 The decision of the Appeal Jury is final and binding on all parties concerned subject to any right of appeal to the Judicial Commission as set out in the FIH Statutes.
- 19.11 The decision of the Appeal Jury shall be based on the balance of probabilities (more likely than not).
- 19.12 An Appeal Jury has the power:
- a to allow or dismiss the appeal;
 - b to vary the decision of the Technical Delegate;
 - c to increase, decrease, remit or otherwise vary any penalty included in the decision of the Technical Delegate;
 - d to impose such other penalty or sanction as it deems fit;
 - e to recommend to the FIH Executive Board that the deposit be refunded or forfeited;
 - f to make an order for payment of costs.
- 19.13 If the Appeal Jury decides, whether or not it allows the appeal in whole or part, that any period of suspension or other penalty may or ought to include the imposition of a suspension that affects matches or otherwise should take effect beyond the conclusion of the tournament, the Appeal Jury must, within 3 days, give written notice of its decision to the FIH Chief Executive Officer, who will refer it to the FIH Disciplinary Commissioner to decide on any further period of suspension or other penalty to be imposed.

20 ANTI - DOPING

- 20.1 As a pre-condition of participation in the XXXI Olympiad, all players must have undertaken an anti-doping education program prior to the commencement of the FIH International Event (if not completed within the preceding 24 months). Each National Olympic Committee / National Association is free to choose which education program is most suitable for its players, such as the World Anti-Doping Agency's on-line course ALPHA, or a National Anti-Doping Organisation / Regional Anti-Doping Organisation organised training.

- 20.2 The IOC Anti-Doping Rules applicable to the Games of the XXXI Olympiad in Rio de Janeiro apply.
- 20.3 All matches are subject to anti-doping tests as the IOC may direct.
- 20.4 Team Managers will be advised about anti-doping test procedures at the Medical pre-competition briefing meeting.
- 20.5 Any player may be the subject of an anti-doping test after a match even if that player has remained on the team bench throughout the match. A player may be the subject of more than one anti-doping test during the competition.
- 20.6 A player selected for an anti-doping test may not take a shower, bath, ice-bath or similar before providing a urine / blood sample which meets the requirements in the International Standard for Testing.

21 OLYMPIC MEDALS AND DIPLOMAS

- 21.1 Each of the players who features or who has featured on any Match Report (C73A) of the three top-ranked teams will receive a medal as follows:
- a Olympic champion: an Olympic gold medal and a diploma;
 - b runner-up: an Olympic silver medal and a diploma;
 - c 3rd place: an Olympic bronze medal and a diploma.
- 21.2 Each of the players who features or who has featured on any Match Report (C73A) of the teams ranked fourth, fifth, sixth, seventh and eighth will receive a diploma.
- 21.3 Medals and diplomas are provided by Rio 2016 for distribution by the IOC.

22 UNFORESEEN EVENTS

- 22.1 If any technical related circumstances arise which are not provided for in these Regulations, the Technical Delegate will determine any actions necessary.
- 22.2 If any team affected by a decision of the Technical Delegate under Regulation 22.1 wishes to protest, it may do so following the procedures set out in Regulation 17.
- 22.3 If circumstances in relation to a wider event matter arise which are not provided for in these Regulations, the FIH Chief Executive Officer will determine any actions as appropriate.

APPENDIX 1

SCHEDULE OF VARIATIONS TO THE RULES OF HOCKEY

Below is a list of Regulations which supersede the Rules of Hockey.

1 BALL COLOUR

Rule 4.8: The ball is spherical, hard and white (or an agreed colour which contrasts with the playing surface).

Regulation: The ball will be yellow.

2 GREEN CARD – TWO MINUTE SUSPENSION

Rule 14.1.b: For any offence, the offending player may be warned and temporarily suspended for 2 minutes of playing time (indicated by a green card).

Regulation: For any offence, the offending player may be warned and temporarily suspended for 2 minutes of playing time (indicated by a green card).

- a For the duration of each temporary suspension, the offending team plays with one fewer player.
- b If a field player receives a green card, the Umpires stop the match (but not necessarily the time) to issue the card; if time has been stopped, the Umpires restart it immediately after issuing the card.
- c If a goalkeeper or player with goalkeeping privileges receives a green card, the Umpires stop the time and re-start it immediately after that player has left the field of play.
- d The offending player leaves the field immediately; if he / she interferes with play on their way to the designated suspension area the Umpire may further penalise the player in accordance with the Rules of Hockey.
- e The 2 minutes temporary suspension starts when the player is seated in the designated area.
- f Timing of the suspension is controlled by a Technical Official on duty.
- g The offending player is permitted to resume play when the Technical Official on duty indicates that the period of suspension has been completed unless this occurs during the taking of a penalty corner in which case the player cannot return until the penalty corner has been completed or another penalty corner is awarded.
- h If the offending player is a goalkeeper or player with goalkeeping privileges, the Technical Official on duty notifies the Umpires when the period of suspension has been completed; the Umpires stop the time at the next stoppage of play to enable that player to resume play.

3 YELLOW CARD – TEMPORARY SUSPENSION

Rule 14.1.c: For any offence, the offending player may be temporarily suspended for a minimum of 5 minutes of playing time (indicated by a yellow card).

Regulation: For any offence, the offending player may be temporarily suspended for a minimum of 5 minutes of playing time (indicated by a yellow card).

- a The duration of temporary suspension is indicated to the Technical Official on duty by the Umpire who issues the yellow card.
- b For the duration of each temporary suspension, the offending team plays with one fewer player.
- c If a field player receives a yellow card, the Umpires stop the match (but not necessarily the time) to issue the card; if time has been stopped, the Umpires restart it immediately after issuing the card.
- d If a goalkeeper or player with goalkeeping privileges receives a yellow card, the Umpires stop the time and re-start it immediately after that player has left the field of play.
- e The offending player leaves the field immediately; if they interfere with play on their way to the designated suspension area the Umpire may further penalise the player in accordance with the Rules of Hockey.
- f The temporary suspension commences when the player is seated in the designated area.
- g Timing of the suspension is controlled by a Technical Official on duty.
- h The offending player is permitted to resume play when the Technical Official on duty indicates that the period of suspension has been completed unless this occurs during the taking of a penalty corner in which case the player cannot return until the penalty corner has been completed or another penalty corner is awarded.
- i If the offending player is a goalkeeper or player with goalkeeping privileges, the Technical Official on duty notifies the Umpires when the period of suspension has been completed; the Umpires stop the time at the next stoppage of play to enable that player to resume play.

4 MATCH PERIODS

Rule 5.1: A match consists of two periods of 35 minutes and a half time interval of 5 minutes

Regulation: A match consists of four periods of 15 minutes.

- a At the end of the first and third period there shall be an interval of 2 minutes. During this interval, teams are not permitted to leave the field of play.
- b At the end of the second period there shall be an interval of 10 minutes. During this interval Team officials and players may leave the technical facility area surrounding the field of play only with the prior permission of the Technical Officer on duty. Play is resumed by a centre pass which is taken by the team that did not take the centre pass for the first period.

- c Play for the second period is resumed by a centre pass taken by the team that started the first period. Play for the fourth period is resumed by a centre pass is taken by the team that started the third period.
- d The second, third and fourth periods of a match will begin exactly after the end of the intervals specified in Article a above of this Appendix whether or not both teams are on the field of play ready to play.
- e The match is prolonged at the end of each period to allow the completion of a penalty corner or any subsequent penalty corner or penalty stroke.
- f When a penalty corner is awarded, time is stopped for 40 seconds, except in the case of re-awards or penalty corners awarded after a Video Umpire referral.
- g When an initial penalty corner is awarded, the timing of the match shall be stopped for 40 seconds, as specified in Article f above, (inter alia to permit defenders to put on protective gear etc) before allowing the penalty corner to commence. The engaged Umpire shall advise both the defence and the attackers as the shot clock approaches zero. After 40 seconds the Umpire will re-start play by blowing the whistle and the ball shall be injected immediately or very shortly thereafter.
- h In the event that a team is not ready the umpire is to identify to the player who is responsible for the delay and issue a personal penalty (i.e. a green card), with an increased personal penalty (i.e. a yellow card) for repeated offences. If this player is a defender, the defending team defends the particular Penalty Corner with one player fewer. For any breach of this regulation by a defending goalkeeper or player with goalkeeping privileges, the defending team defends the penalty corner with one fewer player: ie the corner is defended by one fewer player than before this incident. The defending team nominates which defender will be subject to a personal penalty.
- i In the case of a re-awarded penalty corner time will be immediately stopped but the teams will not be allowed an additional 40 seconds. The umpire will re-start play at the earliest possible opportunity, ensuring that any delay is kept to a minimum.
- j After a goal is scored, time is stopped for 40 seconds, except in the case of goals awarded after a Video Umpire Referral and a Penalty Stroke. The umpire will then re-start play as soon as possible, unless time has to be stopped for another reason.

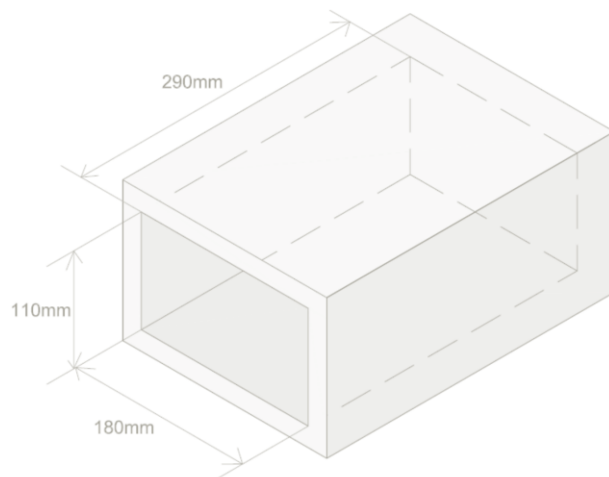
5 PLAYERS' CLOTHING AND EQUIPMENT – FIELD PLAYERS GLOVES

Rule 4.2 Field players

- are permitted to wear gloves for protection which do not increase the natural size of the hand significantly.

Regulation: Field players

- are permitted to wear hand protection which does not increase the natural size of the hands significantly ; any hand protection used, both for normal play and to defend penalty corners, must fit comfortably (without the need for compressing it) into an open-ended box of internal dimensions 290mm long x 180mm wide x 110mm high as illustrated below.



6 PLAYERS' CLOTHING AND EQUIPMENT - SHIRTS

Rule 4.3 Goalkeepers and players with goalkeeping privileges must wear a single coloured shirt or garment which is different in colour from that of both teams.

Regulation: Goalkeepers and players with goalkeeping privileges must wear a coloured shirt which is different in colour from that of both teams. A player with goalkeeping privileges may play in a shirt that is not numbered.

APPENDIX 2

TWO POOL COMPETITION PLAN AND RANKING

1 PLAN OF THE COMPETITION

- 1.1 There will be two pools, each comprising half of the number of the participating teams. Should the numbers be uneven, one of the pools will comprise one more team than the other.
- 1.2 The two pools will be composed as follows based on their FIH World Ranking as at 1 January 2016:

Pool A	Pool B
1	2
4	3
5	6
8	7
9	10
12	11

2 RANKING IN THE POOLS

- 2.1 In each pool, all the teams will play against each other, and the following points will be awarded for each match :
- three points to the winner;
 - one point to each team, in the event of a draw;
 - no points to the loser.
- 2.2 In each pool, teams will be ranked according to the number of points each has accumulated in the competition.
- a If at the end of the pool matches two or more teams have the same number of points for any place in a pool, these teams will be ranked according to their respective number of matches won.
 - b If there remains equality among two or more teams, then these teams will be ranked according to their respective goal difference (which means “goals for” less “goals against”). A positive goal difference always takes precedence over a negative one.
 - c If there still remains equality among two or more teams, then these teams will be ranked according to their respective number of “goals for”.
 - d Should there still remain equality among two teams, then the result of the match played between those teams will determine the ranking of the tied teams.
 - e If more than two teams are involved, then a ranking based upon the results of the matches among (only) them shall determine their respective position, based upon the points awarded in accordance with paragraph 2.1 of this appendix. If there remains equality, then

the teams involved shall be ranked according to paragraphs 2.2.a, b, c, and d of this Appendix.

- f Should there still remain equality among two teams, then the ranking will be determined by a shoot-out competition between those teams (for details see Appendix 3 of these Regulations).
- g If more than two teams are involved, then each team will play a shoot-out competition against the other teams in the same sequence of play as the order of play in the competition, in accordance with Appendix 3 of these regulations but with one round of 5 shoot-outs only to be taken compulsorily by each team.
- h A ranking will then be established based upon the results of the round of the shoot-out competition only, with the award for each play of 3 points to the team having scored the highest number of goals, 1 point to each team having scored an equal number of goals and 0 points to the team having scored the lowest number of goals.
- i If equality remains then teams having an equal number of points shall be ranked according to paragraphs 2.2.a, b, c and d as applied to goals recorded during the shoot-out competition.
- j If an equal position of three (or more) teams still remains thereafter, then the same procedure shall be repeated until the teams can be ranked. The Technical Delegate shall make a draw to take place to establish each sequence of play if such further rounds of shoot-outs are required.

3 CLASSIFICATION MATCHES

- 3.1 The quarter-finals will be as follows although the matches will not necessarily be played in this order:

1 st Pool A	v	4 th Pool B	Match 1
2 nd Pool B	v	3 rd Pool A	Match 2
2 nd Pool A	v	3 rd Pool B	Match 3
1 st Pool B	v	4 th Pool A	Match 4

The winners of these matches will play for 1st to 4th places.

- 3.2 The semi-finals will be as follows although the matches will not necessarily be played in this order:

Winner Match 1	v	Winner Match 2
Winner Match 3	v	Winner Match 4

The winners of these matches will play for 1st and 2nd places (gold and silver medals) and the losers will play for 3rd and 4th places (bronze medal)

- 3.3 The score at the end of the regulation time of any match will be registered by the FIH as the result of the match.
- 3.4 If at the end of the regulation time the result of a classification match is a draw, in order to establish an outright winner of a classification match for the purpose of the competition, a shoot-out competition as specified in Appendix 3 will be played to establish the winner of the match.

- 3.5 The teams that finish 5th in their respective pools will be ranked 9th and 10th; and the teams that finish 6th will be ranked 11th and 12th. The ranking will be determined as follows.
- a The teams will be ranked according to the number of points gained in pool matches
 - b If there remains equality, the teams will be ranked according to the number of matches won
 - c If there still remains equality, the teams will be ranked according to their respective goal difference (which means “goals for” less “goals against”). A positive goal difference always takes precedence over a negative one.
 - d If there still remains equality, the teams will be ranked according to their respective “goals for”.
 - e Should there still remain equality, then the ranking will be shared equally.
- 3.6 The teams that lose the quarter-finals will be ranked 5th – 8th according to the position that they finish in their respective pools. Where two teams finish in the same position in their respective pools the ranking will be determined as follows.
- a The teams will be ranked according to the number of points gained in pool matches
 - b If there remains equality, the teams will be ranked according to the number of matches won
 - c If there still remains equality, the teams will be ranked according to their respective goal difference (which means “goals for” less “goals against”). A positive goal difference always takes precedence over a negative one.
 - d If there still remains equality, the teams will be ranked according to their respective “goals for”.
 - e If there still remains equality, the teams will be ranked on their combined performance in pool and quarter final matches based upon a, b, c and d above. If a team loses its quarter-finals in a shoot-out competition, it will be deemed to have been awarded 1 point as the score would be equal at the end of regulation time.
 - f Should there still remain equality, then the ranking will be shared equally

APPENDIX 3

SHOOT-OUT COMPETITION

In a shoot-out competition, five players from each team take a one-on-one shoot-out alternately against a defender from the other team as set out in this Regulation. The shoot-out competition comprises all series of shoot-outs required to determine a result.

The following sets out both the playing Rules and the procedures to be followed.

- 1 The respective Team Managers provide five players to take and one player to defend the shoot-outs from those on the Match Report (C73A) except as excluded below. A player nominated to defend the shoot-outs can also be nominated to take a shoot-out. No substitutions / replacements are permitted during the shoot-out competition other than as specified below
- 2 The players taking and defending the shoot-outs will be entered on to the Shoot-Out form (C73B) by the technical officials on duty.
- 3 If the shoot-out competition takes place after the end a match, the above procedures must be carried out promptly so that the first shoot-out can take place within four (4) minutes of the end of the match.
- 4 A player who is still serving a disciplinary suspension by the Technical Delegate at the time the shoot-out competition takes place or has been excluded permanently (red card) during the match which leads to the shoot-out competition, cannot take part in that shoot-out competition. A player who has been warned (green card) or temporarily suspended (yellow card) may take part in the shout-out competition even if the period of their suspension has not been completed at the end of the match.
- 5 The goals to be used for shoot-out competitions will be advised at the Event Briefing meeting.
- 6 The Technical Delegate will advise at the pre-competition Event Briefing meeting the method of timing shoot-outs.
- 7 A coin is tossed; the team which wins the toss has the choice to take or defend the first shoot-out.
- 8 All persons listed on the Match Report (C73A) other than any player who has been excluded permanently (red card) during the match which leads to the shoot-out competition are permitted to enter the field of play outside the 23m area used for the shoot-out but must be at least 10 metres from the spot where the ball is placed at the start of the shoot-out.
- 9 The goalkeeper / defending player of the team taking a shoot-out shall wait on the back-line outside the circle.
- 10 A player taking or defending a shoot-out may enter the 23m area for that purpose.
- 11 Players taking a shoot-out and also defending the shoot-outs taken by opponents are allowed reasonable time to take off their protective equipment to take their shoot-out and subsequently to put back on their protective equipment.

- 12 Five players from each team take a shoot-out alternately against the goalkeeper / defending player of the other team making a total of 10 shoot-outs.
- 13 Taking a shoot-out:
 - a the goalkeeper/defending player starts on or behind the goal-line between the goal posts;
 - b the ball is placed on the nearest 23m line opposite the centre of the goal;
 - c an attacker stands outside the 23m area near the ball;
 - d the Umpire starts the shoot-out by blowing the whistle;;
 - e an official at the technical table starts the clock;
 - f the attacker and the goalkeeper / defending player may then move in any direction;
 - g if either the attacker or goalkeeper / defending player start the process of the shoot-out before the umpire has blown the whistle, the shoot-out is reset;
 - h the shoot-out is completed when:
 - i 8 seconds has elapsed since the starting signal;
 - ii a goal is scored;
 - iii the attacker commits an offence;
 - iv the goalkeeper / defending player commits an unintentional offence inside or outside the circle in which case the shoot-out is re-taken by the same player against the same goalkeeper/defending player;
 - v the goalkeeper / defending player commits an intentional offence inside or outside the circle, in which case a penalty stroke is awarded and taken;
 - vi the ball goes out of play over the back-line or side-line; this includes the goalkeeper / defending player intentionally playing the ball over the back-line.
- 14 If a penalty stroke is awarded as specified above, it can be taken and defended by any eligible player on the Match Report (C73A) subject to the provisions of Articles 17, 18 and 19 of this Appendix.
- 15 The team scoring the most goals (or ahead by more goals than the other team has untaken shoot-outs available) is the winner.
- 16 A player may be suspended by a yellow or red card but not by a green card during the shoot-out competition.
- 17 If during a shoot-out competition (including during any penalty stroke which is awarded) a player (either an attacker or a goalkeeper / defending player) is suspended by a yellow or red card:
 - a that player takes no further part in that shoot-out competition and, unless a goalkeeper / defending player, cannot be replaced;
 - b the replacement for a suspended goalkeeper / defending player can only come from the five players of that team nominated to take part in the shoot-out competition:

- i the replacement goalkeeper / defending player is allowed reasonable time to put on protective equipment similar to that which the goalkeeper / defending player they are replacing was wearing;
 - ii for taking their own shoot-out (or a penalty stroke), this player is allowed reasonable time to take off their protective equipment to take their shoot-out and subsequently to put it on again.
 - c any shoot-out due to be taken by a suspended player is forfeited; any goals scored by this player before being suspended count as a goal.
- 18 If during a shoot-out competition, a defending goalkeeper / defending player is incapacitated:
- a that goalkeeper / defending player may be replaced by another player from among the players listed on the Match Report (C73A) for that particular match, except as excluded in this Appendix or unless suspended by an Umpire during the shoot-out competition;
 - b the replacement goalkeeper / defending player:
 - i is allowed reasonable time to put on protective equipment similar to that which the incapacitated goalkeeper/defending player was wearing;
 - ii if this replacement is also nominated to take a shoot-out, this player is allowed reasonable time to take off their protective equipment to take their shoot-out and subsequently to put it on again.
- 19 If during a shoot-out competition, an attacker is incapacitated, that attacker may be replaced by another player from among the players listed on the Match Report (C73A) for that particular match, except as excluded above or unless suspended by an Umpire during the shoot-out competition.
- 20 If an equal number of goals are scored after each team has taken five shoot-outs:
- a a second series of five shoot-outs is taken with the same players, subject to the conditions specified in this Appendix;
 - b the sequence in which the attackers take the shoot-outs need not be the same as in the first series;
 - c the team whose player took the first shoot-out in a series defends the first shoot-out of the next series;
 - d when one team has scored or been awarded one more goal than the opposing team after each team has taken the same number of shoot-outs, not necessarily being all five shoot-outs, that team is the winner.
- 21 If an equal number of goals are scored after a second series of five shoot-outs, additional series of shoot-outs are taken with the same players subject to the conditions specified in this Appendix:
- a the sequence in which the attackers take the shoot-outs need not be the same in any subsequent series;
 - b all eligible players from each team must take a shoot-out before any one of them can take another; any shoot-out due to be taken by a suspended player is forfeited;
 - c the team which starts each shoot-out series alternates for each series.

- 22 Unless varied by this Appendix or Appendix 1, the Rules of Hockey apply during a shoot-out.
- 23 At the end of the shoot-out competition, Team Managers sign the Shoot-out Competition form (C73B) to confirm the result of the shoot-out competition.

APPENDIX 4

FIH CODE OF CONDUCT

1. PURPOSE, SCOPE AND APPLICATION

- 1.1 The International Hockey Federation (FIH) is recognised by the International Olympic Committee as the sole ultimate governing body for the sport of Hockey throughout the world and the *Code of Conduct* is adopted and implemented as part of the FIH's continuing efforts to preserve the integrity of the sport of hockey.
- 1.2 The *Code of Conduct* aims to promote the highest standard of behaviour and conduct in the administration, coaching and playing of hockey and is an effective means to deter any *Participant* from conducting themselves improperly both on and off the field-of-play or in a manner that is contrary to the spirit of hockey.
- 1.3 Unless otherwise indicated, words in italicised text in the *Code of Conduct* are defined terms and their definitions are set out in Article 3.
- 1.4 All *Participants* are automatically bound by and required to comply with all of the provisions of the *Code of Conduct*. Accordingly, by their participation in a *Match* or an *International Event*, such *Participant* shall be deemed to have agreed that it is their personal responsibility to familiarise themselves with all of the requirements of the *Code of Conduct*, including what conduct constitutes an offence under the *Code of Conduct*.
- 1.5 The *National Association* of each participating team is responsible for informing and educating *Participants* about the *Code of Conduct*. *National Associations* shall share liability with *Participants* should breaches of the *Code of Conduct* occur.
- 1.6 All *Participants* are bound by the *Code of Conduct* at all times and shall continue to be bound by and required to comply with the *Code of Conduct* until they have not participated in an *International Event* during the *Applicability Period*. During the *Applicability Period*, the *FIH* shall have jurisdiction over all *Participants* under the *Code of Conduct*.
- 1.7 The Technical Delegate shall have jurisdiction to deal with breaches of the *Code of Conduct* during the tournament (unless the Technical Delegate is in breach, in which case, the matter will be dealt with by the *FIH Chief Executive Officer*). After the International Event has been completed and at all other times, any breaches of the Code of Conduct shall be dealt with by the *FIH Chief Executive Officer*, who may refer matters to the *FIH Disciplinary Commissioner* for a decision, if appropriate. Breaches of the *Code of Conduct* by FIH Representatives and staff shall be dealt with in accordance with the FIH Staff Procedures.
- 1.8 Further information about the application of the *Code of Conduct*, appeal process, Guidelines on Sanctions and the Process for Hearing and Determining Any Reported Offence is contained in the FIH Tournament Regulations.
- 1.9 The *Code of Conduct* will come into full force and effect at *FIH* level on 1 May 2016 (the *Effective Date*) and will supersede the previous *Code of Conduct* as from that date. It may be amended from time to time by the *FIH*.

2: CODE OF CONDUCT OFFENCES

2.1 General Behaviour

- a *Participants* shall comply at all times with the *FIH Statutes* and General Regulations, Rules of Hockey, *FIH* Tournament Regulations, *FIH* Anti-Doping Rules, *FIH* Anti-Corruption Regulations, the Olympic Movement Code on the Prevention of the Manipulation of Competitions, *FIH* Media Policy, *FIH Code of Conduct* and any other rules and regulations that may come into force from time to time.
- b *Participants* shall always use their best efforts during a *Match* when competing in an *International Event*.
- c *Participants* shall conduct themselves fairly, properly and in an acceptable manner on and off the field of play, including inside or around the hockey venue and accommodation.
- d *Participants* shall not act (or fail to act) in any way which may harm the interests and reputation of the *FIH*, a *Continental Federation* or *National Association* or bring *Hockey* into disrepute.

Conduct described in 2.2 to 2.4 below, if committed by a *Participant* during an *International Event*, shall amount to an offence by a *Participant* under the *Code of Conduct*.

Comment: Where considered helpful, guidance notes have been provided beneath the description of a particular offence. Such notes are intended only to provide guidance as to the nature and examples of certain conduct that might be prohibited by a particular Article and should not be read as an exhaustive or limiting list of conduct prohibited by such Article.

2.2 Specific Offences – Level One

The penalty for a Level 1 offence shall be an official reprimand and / or a suspension of the individual for a minimum of one match.

- a Using language or gesture(s) that is obscene, offensive or of an insulting nature.
Note: This includes: (i) excessively audible or repetitious swearing; and (ii) obscene gestures which are not directed at another person, such as swearing in frustration at one's own poor play or misfortune.
- b Showing dissent at an Umpire's decision
Note: Dissent will include disputing / protesting, reacting in a provocative or disapproving manner in an inappropriate way towards any decision made by an Umpire or other official. This may include arguing or entering into a prolonged discussion with the Umpire about the decision.
- c Charging or advancing towards an Umpire or technical official in an aggressive manner during an *International Event*.
- d Excessive appealing of an Umpire's decision, or crowding an Umpire.
Note: Excessive shall include repeated appealing of the same decision / appeal.

- e Throwing a stick or ball (or any other object or item of equipment) at or near another *Participant* or any other person in an inappropriate and / or dangerous manner.
- f Inappropriate and deliberate physical contact between players in the course of play
Note: Without limitation, *Participants* will breach this article if they deliberately push, walk or run into another *Participant*.
- g Feigning injury and / or overreacting to alleged physical contact from another player.
Note: Without limitation, *Participants* will breach this article if they deliberately fake an injury in order to penalize another *Participant* against whom it is alleged committed a foul against him/her.
- h Abuse of hockey equipment or clothing, venue equipment or fixtures and fittings.
Note: This includes any action(s) outside the course of normal hockey actions, such as hitting or kicking the goal posts and any action(s) which intentionally or negligently results in damage to the team benches, advertising boards, dressing room doors, mirrors, windows and other fixtures and fittings.
- i Breach of the FIH's Uniform Advertising Policy or FIH Team Dress Protocol
Note: One of the core objectives of the FIH Uniform Advertising Policy and FIH Team Dress Protocol is to ensure appropriate and professional standards of appearance on the field of play and during opening and closing ceremonies at International Events and to prevent any practices that undermine that objective.
- j Breach of the FIH Media Policy
Note: One of the core objectives of the FIH Media Policy is to ensure compliance with all contractual obligations imposed upon FIH by its media partner(s). This includes failure by a Participant to participate in a press conference when requested to do so by FIH.
- k Public criticism of, or inappropriate public comment in relation to an incident occurring in an *International Match* or any *Participant* or team participating in any *International Match* or *FIH*, generally, irrespective of when such criticism or inappropriate comment is made.
- l Where the facts of the alleged incident are not adequately or clearly covered by any of the above offences, conduct that either is contrary to the spirit of the game or brings the game into disrepute.
Note: Article 2.2 l is intended to be a 'catch-all' provision to cover any type of conduct of a minor nature that is not, and because of its nature cannot be, adequately covered by the specific offences set out elsewhere in the *Code of Conduct*.

2.3 Specific Offences – Level Two

The penalty for a Level 2 offence shall be a suspension of the individual for a minimum of two matches.

- a Using language or gesture(s) that is seriously obscene, seriously offensive or have a seriously insulting nature to another *Participant* or any other third person.

Note: It is acknowledged that there will be verbal exchanges between Players in the course of play. Rather than seeking to eliminate these exchanges entirely, Umpires or technical officials will be required to report such conduct that falls below an acceptable standard.

- b Serious public criticism of, or inappropriate public comment in relation to an incident occurring in an *International Match* or any *Participant* or team participating in any *International Match* or *FIH*, generally, irrespective of when such criticism or inappropriate comment is made.

- c Any attempt to manipulate any Match International Event for inappropriate strategic or tactical reasons.

Note: This is intended to prevent the manipulation of *Matches* for inappropriate strategic or tactical reasons (such as when a team deliberately loses a pool *Match* in an *International Event* in order to affect the standings of other teams in that event). It is not intended to cover any corrupt or fraudulent acts (including any use of inside information and/or related betting activity). Such conduct is prohibited under the FIH Anti-Corruption Regulations and the Olympic Movement Code on the Prevention of the Manipulation of Competitions and must be dealt with according to the procedures set out therein.

- d Intimidation of an Umpire or other third person whether by language or conduct (including gestures) during an International Match.

Note: Includes appealing in an aggressive or threatening manner.

- e Threat of assault or physical assault (without injury) on a *Participant* or any other third person.

Note: This offence is not intended to cover threats of assault, which are prohibited under Article 2.4.

- f Where the facts of the alleged incident are not adequately or clearly covered by any of the above offences, conduct that is either contrary to the spirit of the game or brings the game into disrepute

Note: Article 2.3 f is intended to be a 'catch-all' provision to cover any type of conduct of a serious nature that is not, and because of its nature cannot be, adequately covered by the specific offences set out elsewhere in the *Code of Conduct*

2.4 Specific Offences – Level Three

The penalty for a Level 3 offence shall be a suspension of the individual for a minimum of five matches.

- a Threat of assault or physical assault (without injury) on an Umpire or technical official
- b Physical assault of another *Participant* or any other person (including a spectator)

- c Any act of violence on or off the field of play during an International Event.
- d Where the facts of the alleged incident are not adequately or clearly covered by any of the above offences, conduct that is either contrary to the spirit of the game, or brings the game into disrepute

Note: Article 2.4 f is intended to be a 'catch-all' provision to cover any type of conduct of a very serious nature that is not, and because of its nature cannot be, adequately covered by the specific offences set out elsewhere in the *Code of Conduct*.

3. **DEFINITIONS**

Applicability Period

For the purpose of this *Code of Conduct*, this is defined as a period of 3 months after the last *International Event* that a *Participant* has taken part in.

Code of Conduct

This Code of Conduct, as amended from time to time.

Continental Federation / National Association

A continental or national entity which is a member of or is recognised by the *FIH* as the entity governing the sport of hockey in a continent/country.

Disciplinary Commissioner

The Disciplinary Commissioner appointed in accordance with Article 11.1 of the *FIH Statutes*

Effective Date

As defined in Article 1.9

Executive Board.

The Executive Board of the *FIH*.

Event Director

The person appointed by the *FIH* from time to time to act in that role, or his / her designee.

FIH

The International Hockey Federation.

FIH Chief Executive Officer

The person appointed by the *FIH* from time to time to act in that role, or his / her designee.

Hockey

The sport of hockey, including both field and indoor hockey and all current and future forms, variations and/or derivatives of the game modified or derived from its traditional form, irrespective of the number of players involved, or the type of venue or playing surface used (excluding only ice-hockey), as decided from time to time by the Executive Board.

Match

A hockey match of any format and duration in length in which two hockey teams compete against each other to which the *FIH* deems it appropriate that the *Code of Conduct* should apply.

International Event.

A duly sanctioned match or event contested by national representative teams.

Participants

Participants shall be considered as the following:

- a All *National Association* team members and officials including Players, Team Management, Coaching Staff, Medical Staff, Technical Support Staff and any duly appointed representatives of the *National Associations* of the participating teams.
- b All *FIH* tournament officials including the *FIH* Representatives, *FIH* staff, Technical Delegate, Technical Officers, Umpires' Managers, Medical Officers, Media Officers, Judges, Umpires and any other ad hoc officials appointed by the *FIH* or the organising committee.
- c The host *National Association's* representatives and the members of the organising committee.

Statutes

Statutes of the *FIH*.

APPENDIX 5

FIH CODE OF CONDUCT – GUIDELINES TO TDs ON PROCESS FOR HEARING AND DETERMINING ANY REPORTED OFFENCE

1 THE REPORT

All reports of any offence against the FIH Code of Conduct shall be made to the Technical Delegate.

The Technical Delegate is to determine the level of the offence.

A report can be received by the Technical Delegate from any person but if received later than 24 hours after the occurrence of the conduct said to constitute the offence the Technical Delegate must exercise a discretion to accept such a report. That discretion is to be exercised taking into account the seriousness of the reported behaviour and the reason for the delay in making the report.

2 PRINCIPLES OF NATURAL JUSTICE

Principles of natural justice apply in the following way.

The Technical Delegate will advise the Team Manager of

- the fact of the report of an offence;
- the identity of the team member(s) reported;
- the level of the offence;
- the time and place of the hearing;
- details of the conduct and the mode of proof of it;
- if the report was received later than 24 hours after the occurrence of the conduct said to constitute the offence the Technical Delegate must state the reasons for the exercise of the discretion to accept the report. No appeal from the exercise of that discretion is available.

3 THE HEARING

The Technical Delegate must chair the meeting (subject to delegation for reason of conflict of interest).

The hearing must be attended by the person the subject of the report and one representative if they desire (in addition the person the subject of the charge may be assisted by an interpreter).

The Technical Delegate must outline the evidence relied on to support the report including showing any video footage.

The team member is to be asked for his / her response to the report, ie do they accept the offence charged or not. The team member must be permitted to present material as to either or both of the fact of the offence or penalty.

Should the person who is the subject of the report fail to attend the hearing, the hearing shall take place in the absence of that person and the fact of the failure to attend shall be taken into account in the determination of the appropriate penalty in the event that an offence is found to have been committed.

4 THE DECISION

The decision should be in writing and read to the person the subject of the report by the Technical Delegate (through an interpreter if necessary). It should deal (at least) with the following matters:

- a whether or not the team member accepts the breach of the Code of Conduct;
- b if the team member does not accept the breach, a finding as to whether a breach has occurred and why.

Should it be found (or agreed) that an offence has been committed either the minimum penalty will be imposed or, at the entire discretion of the TD, a greater penalty. If a greater penalty is being considered then:

- a the disciplinary history of the team member;
- b the attitude of the team member at the hearing;
- c any penalty already incurred, eg if a card was given during the match the length of time of any suspension served under that card;
- d the seriousness of the offence by comparison with other offences at this level

will be taken into account by the TD in imposing a greater penalty and details of which will be set out in the written decision.

5 DEFINITION OF THE PENALTY

A clear definition of the penalty will include:

- a the number of matches for which the team member is suspended;
- b the date of commencement of the suspension;
- c a statement whether, in the view of the Technical Delegate, any additional period of suspension or other penalty to take effect beyond the conclusion of the tournament should be imposed or may be appropriate; and, if so
- d a statement that the decision to impose any further suspension or penalty is referred to the FIH Chief Executive Officer for further consideration by the FIH Disciplinary Commissioner; and
- e a summary of the Technical Delegate's reasons that may justify the imposition of an additional suspension or other penalty.

APPENDIX 6

IOC LATE ATHLETE REPLACEMENT POLICY FOR RIO 2016 OLYMPIC GAMES

This policy will apply to Athletes of National Olympic Committees attending the Games of the XXXI Olympiad in Rio de Janeiro 2016 (the 'Rio 2016 Games').

The deadline for the Final Entries list of participating Athletes in the Rio 2016 Games (sport entries deadline) is 23:59 Rio de Janeiro time (GMT- 3) 18 July 2016.

After the sport entries deadline, the Late Athlete Replacement policy comes into force, and will be strictly enforced. Late Athlete Replacement may only occur up to the relevant sport / discipline / event Technical Meeting, unless otherwise stated in the sport specific appendix (Appendix 1 below).

This policy is only applicable for those sports/disciplines where the quota place has been allocated to the NOC.

For those sports / disciplines in which the quota place is allocated by name to an Athlete a specific slot reallocation deadline has been included in the Qualification Systems per discipline.

From 19 July 2016 00:01 Rio de Janeiro time (GMT- 3) the Rio 2016 Organising Committee for the Olympic Games (Rio 2016) may authorise a permanent replacement of an Athlete by another Athlete in the same sport, discipline and event. Each decision will be made after consultation with the relevant International Federation (IF), and its respective Medical expert and, when deemed appropriate, the International Olympic Committee (IOC). Such replacement will only occur where there are urgent medical conditions preventing participation of an Athlete, or otherwise on a case-by-case basis for exceptional circumstances.

Late Athlete Replacement is possible only provided that:

- The replacement Athlete meets the eligibility conditions and qualification criteria to take part in the Rio 2016 Olympic Games, as stipulated in the "Qualification Systems – Games of the XXXI Olympiad – Rio de Janeiro 2016" per sport / disciplines published in 2014, and regularly updated by the IOC;
- The NOC of the replacement Athlete had applied successfully for accreditation for the Athlete prior to 29 April 2016 (accreditation application deadline). As such, the replacement Athlete has been registered by Rio 2016 in the "NOC's Athlete Accreditation Long List"; and
- No doping control issues are pending concerning the replacement Athlete

In addition, the following procedure must be followed and the required forms submitted within the timeframe stated in this policy:

- The "Late Athlete Replacement Form" must be completed by the relevant NOC, for the Athlete being replaced and the replacement Athlete; and
- The "Sport Entry Form" must be completed and submitted by the relevant NOC, for the replacement Athlete; and
- The "Eligibility Conditions Form (ECF)" including the "Parental / Legal Guardian Acknowledgement for Minors" form must be completed and submitted by the relevant NOC for the replacement Athlete. The NOC must submit a scanned copy of the ECF electronically and bring the original, signed and stamped to Rio 2016 ACR Offices.

- The accreditation card of the replaced Athlete must be returned to an Accreditation Centre, in order to allow for entitlements to be transferred to the replacement Athlete. Following the transfer, the replaced Athlete's accreditation will be deactivated unless the replacement was by a P athlete, in which case entitlements may be swapped upon the decision of the NOC.

Applications with missing information will not be processed.

P ALTERNATE ATHLETES

Before the sport specific deadlines set in Appendix 1 below, the NOCs have the possibility to activate their P alternate athletes or to use a replacement from the long list.

During the competition, as per the “*Accreditation at the Olympic Games – Detailed specifications*”, the NOCs can activate P alternate athletes in the following sports and disciplines: Athletics, Cycling BMX, Cycling Track, Equestrian, Fencing, Handball, Football, Hockey, Rowing, and Table Tennis.

In case a P alternate Athlete should be in need of a Late Athlete Replacement, NOCs will be allowed to replace the Athlete with another P, before the start of competition, by applying the above LAR process.

All documentation and queries regarding this matter should be addressed to Rio 2016 Sports Entries.

NOCs may submit a Late Athlete Replacement Form with all relevant documentation by e-mail or in person to: Rio 2016 - Sport Entries Office at the Welcome Centre in the Olympic Village

Tel: +5521-20165287

Hotline: +5521-20166656

E-mail: olympicsportsentries@rio2016.com

This policy is subject to further change by the IOC for exceptional circumstances.

IOC Sports department as of 19 August 2015

APPENDIX 1

Late Athlete Replacement (P Athletes), 2 (two) in number, will be allowed until the Event Briefing Meeting prior to the start of the Hockey competition, scheduled to take place on Friday 5 August 2016.

As an exception NOCs will be able to replace one **goalkeeper** with an eligible athlete (goalkeeper) from the accreditation long list up until the start of the final day of the Hockey competitions for the women's and men's Competitions respectively.

Late Replacements using P athletes may occur before a match until the finals.

APPENDIX 7

UNIFORM AND EQUIPMENT ADVERTISING – IOC CHARTER, RULE 50

The IOC Guidelines Regarding Authorised Identifications apply to this competition.

The following are extracts from the Guidelines but it must be noted that the Guidelines apply in full.

INTRODUCTION

The prohibition of any advertising and publicity in and above Olympic sites (as expressed in the Olympic Charter) is one of the aspects that differentiate the Olympic Games from other international events.

This is reflected in particular in Bye-Law to Rule 50 1 of the Olympic Charter as follows:

No form of publicity or propaganda, commercial or otherwise, may appear on persons, on sportswear, accessories or, more generally, on any article of clothing or equipment whatsoever worn or used by the athletes or other participants in the Olympic Games, except the identification of the manufacturer of the article or equipment concerned, provided that such identification shall not be marked conspicuously for advertising purposes.

Placing the national and Olympic identity of athletes at the forefront helps to further distinguish the Olympic Games, whilst respecting the significant contribution that sporting goods manufacturers provide.

The International Olympic Committee (IOC) is therefore pleased to present the Guidelines regarding Authorised Identifications for the Games of the XXXI Olympiad in Rio.

These Guidelines provide guidance on how Olympic Charter Rule 50 is to be implemented, in particular (i) as to when an identification is “marked conspicuously for advertising purposes” (and hence prohibited), (ii) which types of identifications are allowed, (iii) where such identifications may be placed and (iv) how many times such identifications may appear. These rules apply to all of the athletes, officials and other accredited persons within the Olympic Games venues and sites.

These Guidelines are not intended to restrict or otherwise impair new, innovative technological design features of Items (as defined below) as long as these are in conformity with the rules and regulations applicable for the sports concerned, the Olympic Charter and these Guidelines.

Notwithstanding the above, these Guidelines are to be used subject to the understanding that:

- (i) in case of contradictions between these Guidelines and Rule 50 of the Olympic Charter, the latter shall prevail;
- (ii) the IOC Executive Board shall be the sole authority to finally determine whether the use of a name, designation, trademark, logo or any other distinctive sign complies with the Olympic Charter and these Guidelines; and
- (iii) the IOC reserves the right to further interpret and/or supplement these Guidelines in order to help ensure that the spirit and purposes of Rule 50 are respected.

GENERAL PRINCIPLES

An *Authorised Identification* may only be used in compliance with the terms of the Olympic Charter, the present Guidelines or as further approved in writing by the IOC.

The IOC reserves the right to prohibit the use of any *Authorised Identification* on any given *Item* in order to ensure the spirit of the principles of the Olympic Charter and these Guidelines are respected.

Unless specifically mentioned otherwise hereinafter (in particular in the *Sport Specific Implementation* section) or unless otherwise indicated in writing by the IOC, the following general principles shall apply:

- No use of any *Identification of the Manufacturer* may be made in a conspicuous way and no *Item* may be used for advertising purposes. An *Item* is in particular considered to be used for advertising purposes when the identification on such *Item* is not in relation to sport or is only featured or used for the purpose of conspicuous exposure during the *Olympic Games*.
- No identification other than an *Authorised Identification* may appear on any *Item*.
- Only one *Identification of the Manufacturer* per *Item* shall be permitted.
- Where the *Identification of the Manufacturer* is not a *Sports Brand*, such identification shall not be permitted, except for *Clothing*, for which the *Identification of the Manufacturer* may be that of a *Clothing Brand*.
- Participants must refrain from contributing to or participating in any conspicuous advertising within Olympic venues and sites, and in particular on the field of play.

SIZE AND FREQUENCY OF AUTHORISED IDENTIFICATIONS

The table below outlines the size and frequency an *Identification of the Manufacturer* shall respect, it being understood that unless expressly excluded, the general principles and other principles outlined in these Guidelines apply as well in addition:

NAME	DEFINITION
Accessories	Accessories may carry <i>Identifications of the Manufacturer</i> as per the following, subject to any stricter IF rules which would prevail for each concerned sport, as indicated within the <i>Sport Specific Implementation</i> section and as long as such identifications are deemed not conspicuous by the IOC:
	Socks
	One <i>Identification of the Manufacturer</i> per item, with a maximum size of 10 cm ²
	Headgear
	One <i>Identification of the Manufacturer</i> per item, with a maximum size of 10 cm ²
	Eyewear
	May carry the <i>Identification of the Manufacturer</i> as generally used on products sold through the retail trade during the period of 6 months or more prior to the Games, with no identification permitted on the lenses
	Armbands
	One <i>Identification of the Manufacturer</i> per item, with a maximum size of 6 cm ²
	Gloves
	One <i>Identification of the Manufacturer</i> per item, with a maximum size of 8 cm ²

Bag

One *Identification of the Manufacturer* per item, not greater than 10% of the surface area of the item, to a maximum size of 60 cm².

For any accessories not listed above, the size of the *Identification of the Manufacturer* shall not exceed 6 cm².

Clothing

The size of an *Identification of the Manufacturer* shall not exceed 30 cm² for *Clothing*.

One additional identification, strictly limited to *Product Technology Identifications*, shall be permitted per *clothing* item and shall not exceed 10 cm².

Where one-piece body suits are used in competition, such *Identifications* shall be permitted once above and once below the waist, provided all other principles are respected.

Sports Equipment

For any sport equipment supplied by the NOC or athlete, the size and frequency of an *Identification of the Manufacturer* shall be as featured on *sports equipment* sold on the retail consumer market six (6) months prior to the Games, subject to any stricter IF rules which would prevail for each concerned sport (as indicated within the *Sport Specific Implementation* section), as long as such identifications are deemed not conspicuous by the IOC.

For any sports equipment supplied by Rio 2016, the size of an *Identification of the Manufacturer* shall not exceed 10% of the surface area (up to a maximum of 60 cm²).

Footwear

All *footwear* items may carry the *Identification of the Manufacturer* as generally used on products sold through the retail trade during the period of 6 months prior to the Games, as long as such identifications are deemed not conspicuous by the IOC.

Specific sizes and display frequency are applicable as per the *Sport Specific Implementation* section hereinafter.

In all instances where the *Item* contains elastic material (such as LYCRA®), the *Authorised Identification* size shall be measured stretched (e.g. as worn by the athlete or once the ball is fully pressurised at official air pressure).

SPORT BY SPORT LIST: HOCKEY

APPLICATION OF GUIDELINES REGARDING AUTHORISED IDENTIFICATIONS	
CLOTHING	
T-shirt Shorts / Skirt	One <i>Identification of the Manufacturer</i> per clothing item will be permitted, to a maximum size of 30cm ² .
Tracksuit / Jacket Undershorts / underskirts	One additional <i>Product Technology Identification</i> will be permitted per clothing item, to a maximum size of 10cm ² .

Socks	One <i>Identification of the Manufacturer</i> per clothing item will be permitted, to a maximum size of 10cm ² .
One-piece body suit	Where one-piece body suits are used in competition, one <i>Identification of the Manufacturer</i> and one <i>Product Technology Identification</i> shall be permitted above the waist and below the waist, in accordance with the maximum size noted above, however these identifications shall not be placed immediately adjacent to each other.
SPORT EQUIPMENT	
Goalkeeper pads Goalkeeper kickers Goalkeeper gloves Goalkeeper headgear Goalkeeper neck protector	Goalkeeper equipment may carry the <i>Identification of the Manufacturer</i> as generally used on products sold through the retail trade during the period of two years prior to the Games and as permitted in the FIH World Cup 2014 and subsequent FIH Events.
Shin guards	One <i>Identification of the Manufacturer</i> will be permitted, to a maximum size of 6 cm ² .
Hockey stick	Hockey sticks may carry the <i>Identification of the Manufacturer</i> as generally used on products sold through the retail trade during the period of two years prior to the Games and as permitted in the FIH World Cup 2014 and subsequent FIH Events.
ACCESSORIES	
Outfield player knee protection Arm / wrist band	One <i>Identification of the Manufacturer</i> per item will be permitted, to a maximum size of 6 cm ² .
Outfield player glove	One <i>Identification of the Manufacturer</i> per item will be permitted, to a maximum size of 6 cm ² .
Outfield player headgear including protective helmet	One <i>Identification of the Manufacturer</i> per item will be permitted, to a maximum size of 10 cm ² .
Gum shield	No <i>Identification of the Manufacturer</i> will be permitted
Eyewear	May carry the <i>Identification of the Manufacturer</i> as generally used on products sold through the retail trade during the period of 6 months or more prior to the Games, with no <i>Identification of the Manufacturer</i> permitted on the lenses.
Stick bags	One <i>Identification of the Manufacturer</i> per item will be permitted, not greater than 10% of the surface area of the item, to a maximum size of 60cm ²
SHOES / FOOTWEAR	
Shoes	All footwear items may carry the <i>Identification of the Manufacturer</i> as generally used on products sold through the retail trade during the period of 6 months or more prior to the Games.

SPORT SPECIFIC TECHNICAL REQUIREMENTS

The following FIH technical requirements apply in relation to the General Guidelines:

SECTION 8. THIRD PARTY IDENTIFICATIONS (ATHLETE NAMES)

The display of the family name of the player is compulsory. Each player's name must:

- Appear on the back of their shirt (except if they are taking part at that time as a field player with goalkeeping privileges);
- Be in distinctive filled (not outlined) letters not less than 6 cm and not more than 10 cm in height;
- Be positioned above the player's number so that the number remains clearly visible.

SECTION 10. NOC EMBLEMS AND NATIONAL IDENTITY

No FIH specific regulations with regard to National Identifications apply. Refer to section 10 of the General Guidelines.

SECTION 12. HOMOLOGATION MARKS

Sticks must display an FIH sticker (19mm x 19 mm) which signifies compliance with the Rules of Hockey and FIH Competition Regulations for the Games of the XXXI Olympiad.

SECTION 17. SUBMISSION PROCESS

No additional obligatory submission process required by the FIH applies. Refer to section 17 of the General Guidelines.

Note: All General Principles apply unless expressly mentioned otherwise above (in particular in relation to size, frequency, location or Sports Brand requirements).

APPENDIX 8

CONTINGENCY PLAN CONCERNING COMPETITION SCHEDULE

1 BACKGROUND

This Appendix intends to guide decision making and identify potential thresholds in the event of a delay, postponement or cancellation, rather than provide solutions to all possible eventualities. It will enable the FIH, Rio 2016 and the IOC to assess the potential course of action to be taken if any of the broad scenarios introduced below occur.

- 1.1 **DELAY** - Delay reported but managed within existing session, with no need to postpone the next session. Will try to finish as near as possible to scheduled session end time with no knock-on effects to rest of day's competition.
- 1.2 **INTERRUPTION** - A competition may be subject to an unplanned interruption after it has started. Depending on the sport, competition will be restarted or resumed. The time of restart / resumption is unknown. If the competition cannot be completed within the current ticketing session, the status will be changed to postponed, rescheduled or cancelled.
- 1.3 **POSTPONEMENT** - A competition did not start as scheduled and has been postponed to a later ticketing session. The new date and start time is unknown. The status will subsequently be changed to rescheduled or cancelled. If an interrupted competition cannot be resumed within the current ticketing session and the new date and start are unknown the status will be changed to postponed. The status will subsequently be changed to rescheduled or cancelled.
- 1.4 **ANTICIPATION** - Anticipation refers to a session having to be brought forward in anticipation of factors that may affect the competition to ensure that a competition can be finished. The procedures for a postponement will be applied when it is proposed to move an event(s) forward in the schedule to an earlier session or to change a session to an earlier start time.
- 1.5 **CANCELLATION** - A competition that cannot be rescheduled prior to the Closing Ceremony of the Olympic Games.

The Competition Schedule Change Committee (CSCC) is the body responsible for overseeing and approving changes to the competition schedule during the Olympic Games. Following agreement with the FIH, Rio 2016 will make recommendations to the CSCC should any changes be required.

2 EXAMPLES OF DELAY / POSTPONEMENT CAUSES

Circumstances whereby a delay, postponement or cancellation might be implemented can be summarised in four groupings:

- 2.1 **SPORT RELATED**- When the technical components of the sport do not meet the IF requirements, and consequently do not provide a platform for fair and equitable competition. (e.g. the netting on a goal needs to be replaced after warm-up causing a 15-minute delay in the start of the competition, timing system fails, etc.).
- 2.2 **VENUE RELATED** - When any essential component of the competition venue impacting the sport (outside the field of play) cannot start or continue to perform its designated function at an appropriate and/or safe level (e.g. the overhead lighting system fails and will need to be repaired before the competition can continue, scoreboard fails, etc.).

- 2.3 **WEATHER / SAFETY CONDITIONS** - When an existing or anticipated concern jeopardises the fair and safe conduct of the event or poses a threat to the health and/or safety of athletes, spectators and/or workforce (e.g. extreme meteorological conditions, natural disaster, structural failure, etc.).
- 2.4 **EXTERNAL FACTORS** - When information from external sources may jeopardise the safe running of the event. (e.g. Security concerns, etc.).

3 *INTERRUPTIONS TO A MATCH*

- 3.1 If a match has to be interrupted or suspended by either the umpire or the technical table officials, every effort will be made to resume this match as soon as possible (not necessarily on the same field of play or on the same day) following the rescheduling management principles below.
- 3.2 The match must be completed up to the regulation full time or the completion of extra time as the case may be, the score on the resumption being that at the time the interruption took place. On resumption, Regulation 9 relating to the substitution of players shall apply as though there had been no interruption to the match.

APPENDIX 9

VIDEO UMPIRE

1 POWER TO REFER DECISIONS TO THE VIDEO UMPIRE

- 1.1 The Match Umpires are the only persons who can refer decisions to the Video Umpire either directly or after a request from a team;
- 1.2 Referrals cannot be made as a result of protests, queries or pressure from players, Team Managers or Coaches on any decision. Teams (and their captains) will be held responsible for any violation or abuse of the Video Umpire protocols;
- 1.3 No one other than the Match Umpires, can stop the match to request a referral; eg the Video Umpire or Technical Officials at the Technical Table cannot stop a match.

2 UMPIRE REFERRAL

- 2.1 The Match Umpires may refer decisions to the Video Umpire when they are not convinced that they have taken, or are able to take, the correct decision relating to the awarding or disallowing of goals.
- 2.2 Referrals shall only relate to whether or not a goal has been legally scored.
- 2.3 The match Umpires are therefore entitled to request the Video Umpire to assist in making decisions which include, but are not restricted to:
 - a whether the ball crossed the goal line (within the area bounded by the goal posts and crossbar);
 - b whether the ball was legally played or touched inside the circle by the stick of an attacker and did not travel outside the circle before passing completely over the goal-line and under the cross-bar;
 - c whether the ball travelled outside the circle before it entered the goal either from a shot by an attacker during the taking of a penalty corner;
 - d whether a breach of the Rules has been observed within the attacking 23 metre area in the play leading to the awarding or disallowing of a goal. It is then for the Match Umpire to take any breach into account in reaching their decision.
- 2.4 The Match Umpire requests Video Umpire assistance using the “television-screen” signal; he / she relays by radio to the Video Umpire whatever information is necessary.

3 UMPIRE REFERRAL PROCESS

- 3.1 The Video Umpire calls for as many replays from any camera angle as necessary to reach a decision.
- 3.2 Within the shortest time frame possible, the Video Umpire provides his / her advice and recommendation:

- 'Goal'
- 'No Goal'
- 'No Advice Possible'
- plus advice on any observed breach of the Rules.

3.3 If a breach of the Rules is observed and advised to the match Umpire, it is then for the Match Umpire to take into account the breach in reaching his / her final decision.

3.4 In the case of 'No Advice Possible' (if the video footage is inconclusive, including through not having the correct replays available, the ball never being in shot in the replays, the footage being of insufficient quality to permit a decision or technical problems with the referral equipment) the original decision of the Match Umpire stands. If there was no decision given before the referral, then the final decision is 'No Goal'.

3.5 An umpire referral that has been already been adjudicated upon may not be the subject of a subsequent team referral.

4 TEAM REFERRAL

4.1 Each team is allowed one team referral request (which must be made through the Match Umpires) during regulation time in any match subject to articles 5.4a and 5.4b below of this Regulation and one team referral request during a shoot-out competition, subject to articles 5.4a and 5.4b below:

- a team referrals will be restricted to decisions within the 23 metre areas relating to the award (or non-award) of goals, penalty strokes and penalty corners and, during a shoot-out competition, whether a shoot-out should be re-taken. The award of personal penalty cards may not be the subject of a team referral;
- b any team player, on the field of play at the time of the incident, can request a team referral;
- c this player must indicate to a Match Umpire that he / she wishes to use their team referral. He / she must do so immediately after the incident or decision which is to be referred by using the 'T' signal as well as confirming this verbally to the Umpire;
- d the Match Umpires will not disallow any request for a team referral provided the 'T' signal has been used by a player and seen by the umpire;
- e the player requesting the team referral must inform a Match Umpire of the exact nature of the decision (or non-decision) that their team wishes to be reviewed within a maximum of 20 seconds;
- f if no question is received within 20 seconds the team referral will automatically default to a review of the last decision or non-decision relating to the award (or non-award) of a goal, penalty stroke, penalty corner or re-take of a shoot-out;
- g the Match Umpire then requests Video Umpire assistance using the "television-screen" signal, followed by a 'T' signal to denote a team referral; he / she relays by radio to the Video Umpire whatever information is necessary.

5 TEAM REFERRAL PROCESS

- 5.1 The Video Umpire calls for as many replays from any camera angle as necessary to reach a decision.
- 5.2 Within the shortest time frame possible, the Video Umpire provides his / her advice and recommendation:
- 'Goal'
 - 'No Goal'
 - 'Penalty Stroke'
 - 'No Penalty Stroke'
 - 'Penalty Corner'
 - 'No Penalty Corner'
 - 'Shoot-out to be re-taken'
 - 'No shoot-out re-take'
 - 'No Advice Possible'
 - plus advice on any observed breach of the Rules.
- 5.3 If a breach of the Rules is observed and advised to the Match Umpire, it is then for the Match Umpire to take into account the breach in reaching his / her final decision.
- 5.4 Implications for the retention or loss of team referral rights:
- a in the event that the referral is upheld the referring team retains its right of referral;
 - b in the event of 'No Advice Possible' (if the video footage is inconclusive, including through not having the correct replays available, the ball never being in shot in the replays, the footage being of insufficient quality to permit a decision or technical problems with the referral equipment), the referring team retains its right of referral;
 - c if there is no clear reason to change the Match Umpire's original decision, the referring team loses its right of referral.
- 5.5 A team referral that has been already been adjudicated upon may not be the subject of a subsequent referral by the opposing team.

6 FOR UMPIRE AND TEAM REFERRALS

- 6.1 The final decision, including any matter of interpretation, remains with the Match Umpire and not the Video Umpire.
- 6.2 All other decisions remain with the Match Umpires.
- 6.3 Substitutions may not take place during the stoppage of play for a video referral; substitution may take place on the resumption of play subject to the Rules of Hockey.

APPENDIX 10

FIH MEDIA POLICY

1 PURPOSE, SCOPE AND APPLICATION

- 1.1 The International Hockey Federation (*FIH*) is recognised by the International Olympic Committee as the sole ultimate governing body for the sport of *Hockey* throughout the world. *FIH's* purpose is to raise the global status and popularity of hockey. The Media Policy (the *Policy*) is adopted and implemented as part of the *FIH's* strategy to unite the hockey community to reach its ambition - a global game that inspires the next generation.
- 1.2 The Policy aims to assist in the management of the relationship between the accredited media covering *International Events* and *Participants*. Crucially, this *Policy* also assists in maximizing and enhancing the media coverage of *International Events* to help achieve *FIH's* purpose.
- 1.3 Unless otherwise indicated, words in italicised text in the *Policy* are defined terms and their definitions are set out in Article 5 of this policy.
- 1.4 All *Participants* are automatically bound by and required to comply with all of the provisions of the *Policy*. Accordingly, by their participation in a *Match* or an *International Event*, such *Participants* shall be deemed to have agreed that it is their personal responsibility to familiarise themselves with all of the requirements of the *Policy* and acknowledge non-compliance with the Policy may result in disciplinary action being taken against them.
- 1.5 While this *Policy* sets out general guidelines and minimum requirements *FIH* reserves the right to apply flexibility whenever needed, for the benefit of all parties, and to modify them following consultation with the *Participants*.
- 1.6 The Policy incorporates the Social Media Guidelines set out in Article 3 of this policy.
- 1.7 The *National Association* of each participating team is responsible for informing and educating *Participants* about the *Policy* and ensuring that each *Participant's* media (and social media) activity prior to, during and after the *International Event* is in accordance with the *Policy* and does not bring the name of the *FIH* and sport of *Hockey* into disrepute.
- 1.8 Each Participant acknowledges the importance of communicating and cooperating with the media in order to enhance the image of *International Events*. The Policy applies to all *Participants* for the duration of the *International Event* (from the start of the Outward Journey until the conclusion of the Homeward Journey).
- 1.9 The *Code of Conduct* will come into full force and effect at *FIH* level on 1 May 2016 (the *Effective Date*) and will supersede the previous *Policy* as from that date. It may be amended from time to time by the *FIH*.

2. MEDIA ACTIVITIES

- 2.1 *Participants*, and in particular, Captains shall participate in media conferences / briefings.

- 2.2 *Participants* shall participate in media activities. Media activities may vary from each *International Event*, but shall include training sessions, school visits, personal appearances, photo opportunities and media conferences / briefings. Still and moving images from these media activities may be used for promotional and broadcast production.
- 2.3 *Participants* shall take part in promotional video shoots or other similar activity as may be reasonably required by *FIH*. These may be scheduled on non-match days.
- 2.4 *Participants* shall participate in TV and / or radio interviews pre and post *Matches*, throughout the *International Event*, for promotional activity and international broadcast.
- 2.5 The capturing of team “huddles” may take place before the start of any period of a *Match*
- 2.6 Each changing room may have a small remote-controlled camera installed which will be used according to the following protocol:
- a the location of the cameras will be indicated to Team Managers
 - b a red cue light will indicate when the camera is live to air
 - c shots will be wide angled to encompass the team rather than focused on individuals
 - d these cameras will provide vision only; there will be no audio
 - e the maximum usage is specified below, however not all shots will be used for each *Match*.
 - f use of the shots will be determined by the Host Broadcaster for each *Match*
 - g shots from changing room cameras may only be used at the following times:
 - i a single shot may be transmitted from each changing room on a delayed basis as part of a pre-recorded sequence showing the team arriving at the venue, exiting the bus, moving into the tunnel area and entering the changing room. It will be a wide shot of the team entering the changing room moving to and placing their gear in their respective positions
 - ii a single shot from each changing room of a maximum of 20 seconds may be transmitted live between 8 and 10 minutes before the start of a *Match*. These shots should show the final team huddle / interaction prior to leaving the changing room
 - iii during half-time a single shot from each changing room for a maximum of 20 seconds may be transmitted live at a specified time
 - iv subject to prior agreement with each individual team, a maximum of 2 shots post *Match* from each changing room may be recorded and broadcast on a delayed basis. These will be a maximum of 20 seconds duration each. Agreement on the use of these shots can be reached based on results (eg it may be agreed that these shots are not used if a team loses a *Match*)
- 2.7 *Participants* may receive requests for half-time interviews, however these are subject to agreement by the respective Team Management and *FIH*.
- 2.8 A compulsory post-Match Mixed Zone or equivalent will be in operation following all *Matches*. It will be managed by *FIH* and is designed for brief commentary on the *Match*, not detailed interviews. The Mixed Zone, or its equivalent, is a managed area where the accredited media have the opportunity to interview players and coaching staff as they leave the Match Venue.

Players and coaching staff are separated from the media by means of suitable barriers. The Mixed Zone opens following the end of the *Match*. The host broadcaster will have priority in terms of access to players and coaches in the Mixed Zone. This is followed by TV and radio rights holders, then broadcast non-rights holders and finally the written press. All players and coaches should leave the Match Venue through the Mixed Zone, unless otherwise agreed by the FIH Event Director.

- 2.9 *Participants* will be required to give compulsory flash interviews:
- a prior to the start of the second half / third quarter of a *Match*
 - b within one (1) minute of the end of a *Match* / Shoot-out, unless it is deemed unreasonable to do so by the FIH Event Director
 - c the captains of the two teams shall attend one world feed interview on the field or in close proximity of the changing room immediately after the end of the *Match* / Shoot-out and prior to returning to the changing room
 - d each interview will be conducted in English by the Host Broadcaster's reporter
 - e *FIH* may put in place a process to select a Player of the *Match* for each *Match*; if this happens the Player of the *Match* will conduct a flash interview after the final whistle / Shoot-out and prior to returning to the changing room
- 2.10 *Participants* shall participate in a Highlights Show, by providing an interview and / or commentary, which will broadcast after the conclusion of the world feed.
- 2.11 *Participants* shall participate in guest slots during live broadcast
- 2.12 *Participants* shall participate in a "Master Class" slot during broadcast. This will provide an opportunity to analyse performances individually and as a team and will take place on non-match days.
- 2.13 *FIH* or the broadcasters will provide a set of headphones to the team benches so that *Participants'* reaction can be captured during a *Match*.
- 2.14 Umpires may be required to wear for broadcasting purposes specifically designed cameras and microphones.

3. SOCIAL MEDIA ACTIVITIES

- 3.1 *FIH* recognises the importance of social media for *Participants* communicating with hockey fans. The *FIH* Social Media Guidelines, a copy of which can be found on the *FIH* web site at <http://fih.ch/media/10040019/160318-fih-social-media-guidelines.pdf> have been developed to reflect standards expected from *Participants* at *International Events*. These Social Media Guidelines apply equally to all *Participants* and will sit alongside each Participating National Association's existing guidelines. Breaches of the Social Media Guidelines shall be treated in the same manner as any other breaches of this Policy and / or the Code of Conduct. Breaches of the Social Media Policy by *FIH* Representatives and staff shall be dealt with in accordance with the *FIH* Staff Procedures.

- 3.2 In addition to the Social Media Guidelines, any social media activity, including tweeting, is not permitted from the field of play, technical table and / or team bench during a *Match*.

4. IMAGE AND DATA RIGHTS

- 4.1 *Participants* consent to be filmed, televised, photographed, identified and / or otherwise recorded during *International Events*, and that their captured or recorded images, together with their name, likeness, voice, performance and biographical information, may be used in any content, format and through any media or technology whether now existing or created in the future, by the *FIH* and third parties authorised by the *FIH* during and after an *International Event* in perpetuity in relation to the promotion of the *International Event*, the sport of *Hockey* and the *FIH*, in a commercial or non-commercial manner
- 4.2 The copyright of footage and photographic images produced by *FIH* and third parties remains with the *FIH*. Written permission from *FIH* must be given for any *Participant* or third party to use the footage/images.
- 4.3 All rights to exploit any news and information services and content arising from the *International Event* are retained by *FIH*, including, without limitation, all data, stills, audio and audio visual archive.
- 4.4 *Participants* consent to their personal information (“Personal Data”) being collected by the *FIH* and organising committees, and to such data being stored and used by the *FIH* and organising committees in any place required for its operation, for the purposes of facilitating his/her participation in, and/or organising, *International Events*. This consent includes the right for the *FIH* and organising committees to collect and process their Personal Data, including where necessary to share such data with law enforcement authorities and other third parties, in all manners necessary for the following purposes:
- a security risk assessments
 - b manage accreditations
 - c carry out anti-doping activities
 - d manage tournaments and results
 - e provide services to participants and the media
 - f investigation and/or prosecution of breaches of any of the *FIH Statutes, Code of Conduct* and other applicable rules and regulations (which may require, for example, the collection relevant information in relation to the prevention of the manipulation of competitions);
 - g statistics, historical studies and other *FIH* approved research projects conducted during and after the *International Event*
 - h any other data processing operation to which they provide their express consent to the *FIH* and / or the organising committee

5. DEFINITIONS

Code of Conduct

The *FIH* Code of Conduct

Continental Federation / National Association

A continental or national entity which is a member of or is recognised by the *FIH* as the entity governing the sport of hockey in a continent / country.

Effective Date. As defined in Article 1.9

Executive Board

The Executive Board of the *FIH*.

FIH

The International Hockey Federation.

Hockey

The sport of hockey, including both field and indoor hockey and all current and future forms, variations and/or derivatives of the game modified or derived from its traditional form, irrespective of the number of players involved, or the type of venue or playing surface used (excluding only ice-hockey), as decided from time to time by the *Executive Board*.

Homeward Journey

The air, rail or coach passage between a single international airport, train station or point of departure in the host country of the International Event as applicable and a single international airport, train station or point of arrival in the *National Association's* home territory (with the exception of the Host *National Association*).

International Event.

A duly sanctioned *Match* or event contested by national representative teams.

Match

A hockey match of any format and duration in length in which two teams compete against each other to which the *FIH* deems it appropriate that the *Media Policy* should apply.

Media Policy (The Policy).

The *FIH* Media Policy as amended from time to time.

Outward Journey

The air, rail or coach passage between a single international airport, train station or point of departure in the home territory of a *National Association* (other than the Host *National Association*) and a single international airport, train station or point of arrival in the host country of the *International Event*.

Participants

Participants shall be considered as the following:

- a All *National Association* team members and officials including Players, Team Management, Coaching Staff, Medical Staff, Technical Support Staff and any duly appointed representatives of the *National Associations* of the participating teams.
- b All *FIH* tournament officials including the *FIH* Representatives, *FIH* staff, Technical Delegate, Technical Officers, Umpires' Managers, Medical Officers, Media Officers, Judges, Umpires and any other ad hoc officials appointed by the *FIH* or the organising committee.
- c The host *National Association's* representatives and the members of the organising committee.

Statutes

Statutes of the *FIH*